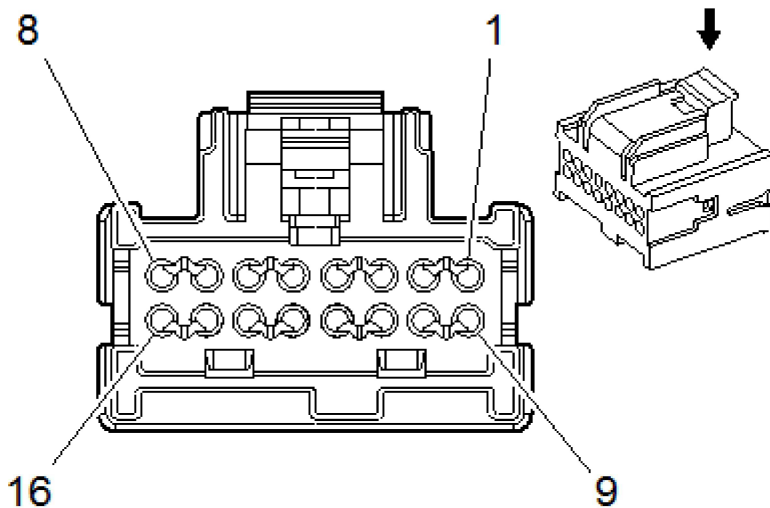


Radio X2 (without PAL)



Connector Part Information

- Harness: I/P
- OEM: 7283-9076-30
- Service: 15136073
- Description: 16-Way F Micro-Pack 64 Modular (BK)

Terminal Part Information

- Terminal/Tray: 15359541/4
- Core/Insulation Crimp: M/M
- Release Tool/Test Probe: 15381651-2/J-35616-64B (L-BU)

Radio X2 (without PAL)

Pin	Wire	Circuit	Function
1	0.35 BN/WH	367	Left Audio Signal (+) (U2K)
2	0.35 D-GN/WH	368	Right Audio Signal (+) (U2K)
3	0.35 PK	314	Radio On Signal
4	0.35 D-BU	546	

© 2016 General Motors. All rights reserved.

Pin	Wire	Circuit	Function
			Right Rear Low Level Audio Signal (+) (UQ3)
	0.5 D-BU	46	Right Rear Speaker Output (+) (UW5)
5	0.35 TN	1946	Right Rear Low Level Audio Signal (-) (UQ3)
	0.5 L-BU	115	Right Rear Speaker Output (-) (UW5)
6	0.35 BN/WH	599	Left Rear Low Level Audio Signal (+) (UQ3)
	0.5 BN	199	Left Rear Speaker Output (+) (UW5)
7	0.35 BN	1999	Left Rear Low Level Audio Signal (-) (UQ3)
	0.5 YE	116	Left Rear Speaker Output (-) (UW5)
8	0.35 PK/BK	2062	Cellular Telephone Voice Signal (UE1)
9	0.35 TN/WH	372	Audio Common (U2K)
10-13	—	—	Not Used
14	0.35 WH/BK	644	10-Volt Reference (UK3)
15	0.35 L-GN	1011	Remote Radio Control Signal (UQ3)
16	0.35 OG/BK	2061	Cellular Telephone Voice Low Reference (UE1)