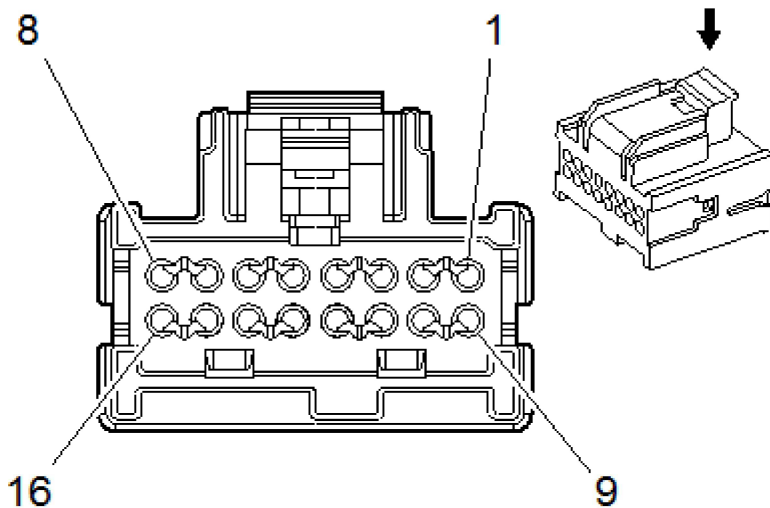


Radio X2 (with PAL)



Connector Part Information

- Harness: PAL
- OEM: 7283-9076-30
- Service: 15136073
- Description: 16-Way F Micro-Pack 64 Modular (BK)

Terminal Part Information

- Terminal/Tray: Service by Harness - See Part Catalog
- Core/Insulation Crimp: Not Available
- Release Tool/Test Probe: 15381651-2/J-35616-64B (L-BU)

Radio X2 (with PAL)

Pin	Wire	Circuit	Function
1	0.5 VT	367	Left Audio Signal (+) (U2K)
2	0.5 D-GN/WH	368	Right Audio Signal (+) (U2K)
3	0.5 PK	314	Radio On Signal
4	0.5 D-BU	546	Right Rear Low Level Audio Signal (+)

© 2016 General Motors. All rights reserved.

Pin	Wire	Circuit	Function
5	0.5 BN	1946	Right Rear Low Level Audio Signal (-)
6	0.5 TN/WH	599	Left Rear Low Level Audio Signal (+)
7	0.5 TN	1999	Left Rear Low Level Audio Signal (-)
8	0.5 PK/BK	2062	Cellular Telephone Voice Signal (UE1)
9	0.5 BN/WH	372	Audio Common (U2K)
10-13	—	—	Not Used
14	0.5 WH/BK	644	10-Volt Reference (UK3)
15	0.5 L-GN	1011	Remote Radio Control Signal
16	0.5 OG/BK	2061	Cellular Telephone Voice Low Reference (UE1)