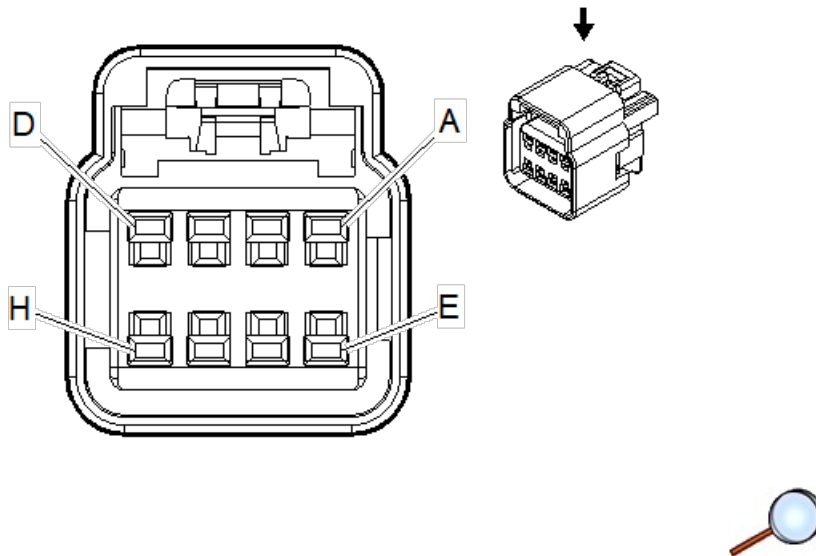


**Driver Information Center (DIC) Display (LNF with UAF)**



**Connector Part Information**

- Harness Type: Instrument Panel
- OEM Connector: 15332145
- Service Connector: 15306407
- Description: 8-Way F GT 150 Series (BK)

**Terminal Part Information**

- Terminated Lead: 13575735
- Release Tool: J-38125-553
- Diagnostic Test Probe: J-35616-2A (GY)
- Terminal/Tray: 12191812/19
- Core/Insulation Crimp: E/C

**Driver Information Center (DIC) Display (LNF with UAF)**

Pin	Wire	Circuit	Function
A	0.35 TN/BK	2500	High Speed GMLAN Serial Data (+)
B	0.35 TN	2501	High Speed GMLAN Serial Data (-)
C	0.5 PK	339	Ignition Voltage
D	0.5 RD/WH	1440	Battery Positive Voltage
E	0.35 TN/BK	2500	High Speed GMLAN Serial Data (+)
F	0.35 TN	2501	High Speed GMLAN Serial Data (-)
G	—	—	Not Used
H	0.5 BK/WH	651	Ground