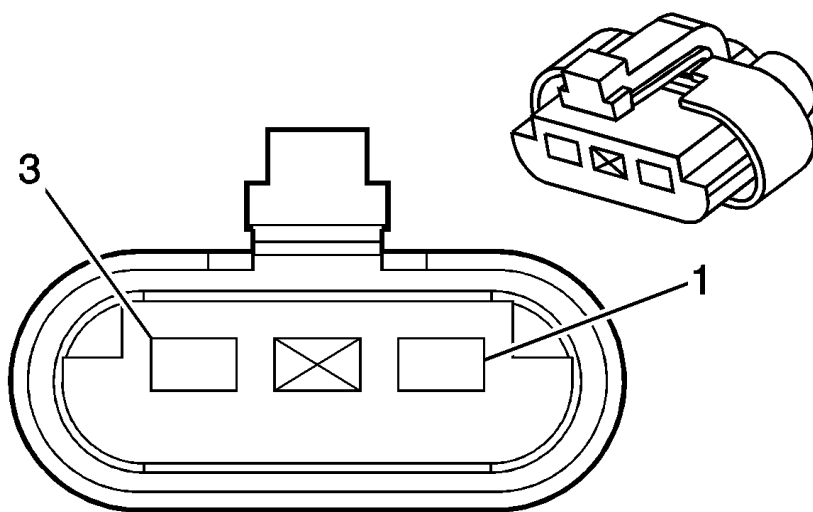


**Cooling Fan – 1 (LSJ/2.0L)**



**Connector Part Information**

- OEM: 15383305
- Service: 88988311
- Description: 2-Way F Metri-Pack 480 Series Sealed (NA)

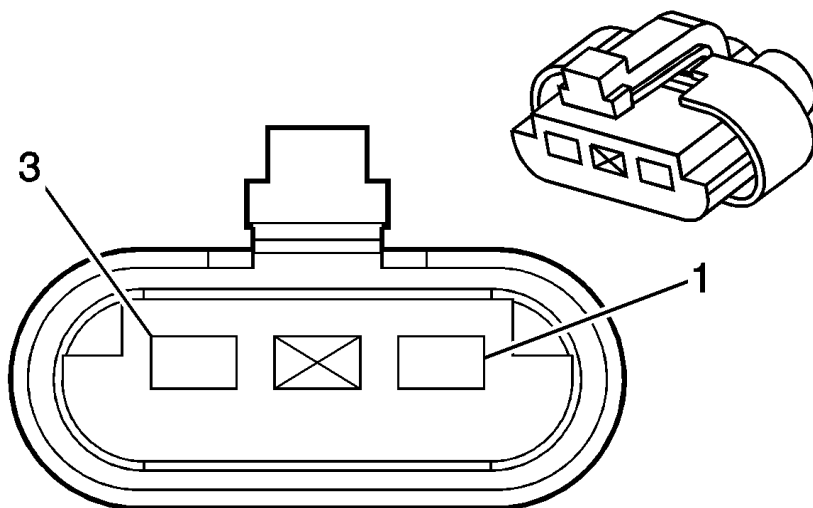
**Terminal Part Information**

- Terminal/Tray: 12191448/3
- Core/Insulation Crimp: F/3
- Release Tool/Test Probe: 15315247/J-35616-40 (BU)

**Cooling Fan – 1 (LSJ/2.0L)**

Pin	Wire Color	Circuit No.	Function
1	L-BU	409	Cooling Fan Motor Supply Voltage
2	—	—	Not Available
3	WH	504	Cooling Fan Motor Low Reference

**Cooling Fan – 2 (LSJ/2.0L)**



**Connector Part Information**

- OEM: 15383305
- Service: 88988311
- Description: 2-Way F Metri-Pack 480 Series Sealed (NA)

**Terminal Part Information**

- Terminal/Tray: 12191448/3
- Core/Insulation Crimp: F/3
- Release Tool/Test Probe: 15315247/J-35616-40 (BU)

**Cooling Fan – 2 (LSJ/2.0L)**

Pin	Wire Color	Circuit No.	Function
1	GY	532	Cooling Fan Motor Supply Voltage
2	—	—	Not Available
3	BK	1050	Ground